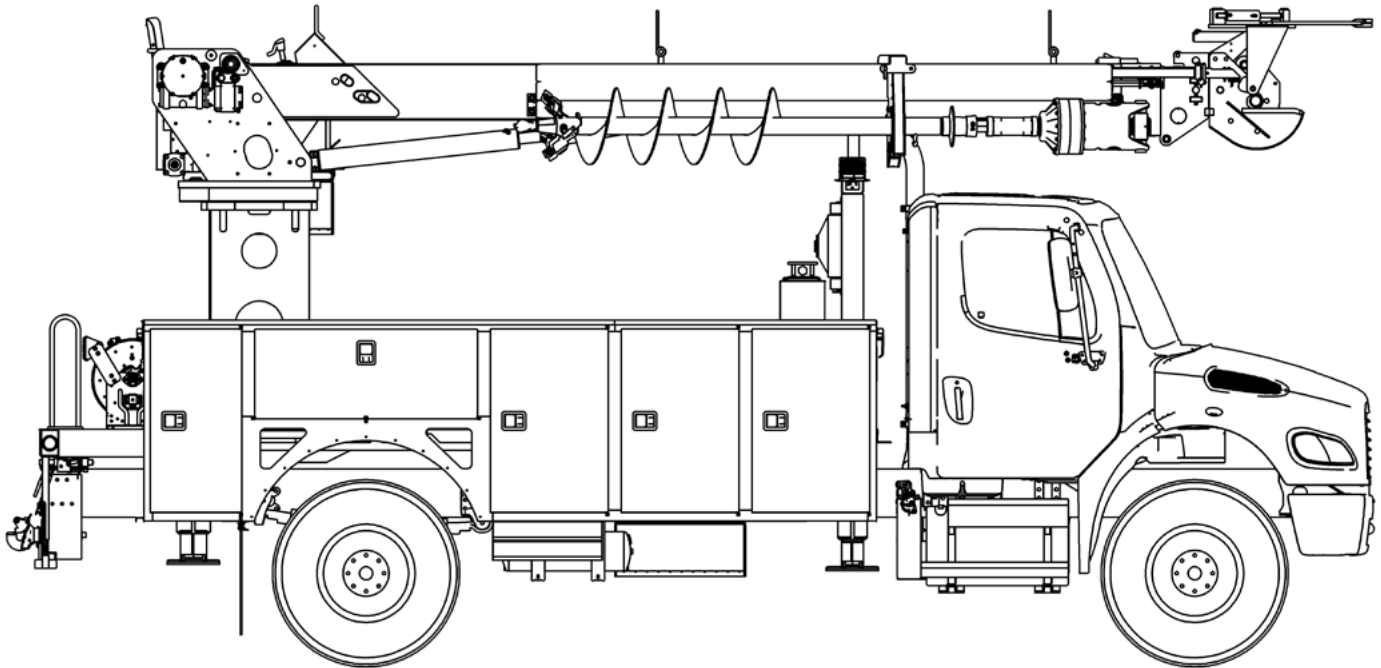




TECH TIPS

BLEEDING OUT A HYDRAULIC FOOT THROTTLE

NO. 88



**SERVICE CALL:
BLEEDING OUT A HYDRAULIC
FOOT THROTTLE**



**MODEL(S):
ALL TEREX UTILITIES DIGGER
DERRICKS USING A HYDRAULIC
FOOT THROTTLE**




**TOOLS NEEDED:
1/4" WRENCH OR SOCKET
DRAIN PAN OR OIL SOAK MATS
OIL CAN WITH 1/8" HOSE
ATTACHED AND FILLED WITH ISO
15 OIL**


TEREX UTILITIES TECHNICAL SUPPORT TEAM

PHONE: 1-844-TEREX4U (1-844-837-3948) | EMAIL: UTILITIES.SERVICE@TEREX.COM

! WARNING



Injection Hazard
Fluid escaping under pressure can penetrate skin and result in death or serious injury.



Relieve pressure before disconnecting hydraulic lines.
Stay clear of leaks and pin holes. Use a piece of cardboard or wood to search for leaks. Do not use hand.
Fluid injected into skin must be surgically removed within a few hours by a doctor familiar with this type of injury, or gangrene will result.



DANGER

Failure to obey the instructions and safety rules in the appropriate Operator's Manual and Service Manual for your machine will result in death or serious injury.

Many of the hazards identified in the Operator's Manual are also safety hazards when maintenance and repair procedures are performed.

DO NOT PERFORM MAINTENANCE UNLESS:

- ✓ You are trained and qualified to perform maintenance on this machine.
- ✓ You read, understand and obey:
 - manufacturer's instructions and safety rules
 - employer's safety rules and worksite regulations
 - applicable governmental regulations
- ✓ You have the appropriate tools, lifting equipment and a suitable workshop.

The information contained in this Tech Tip is a supplement to the Service Manual. Consult the appropriate Service Manual of your machine for safety rules and hazards.



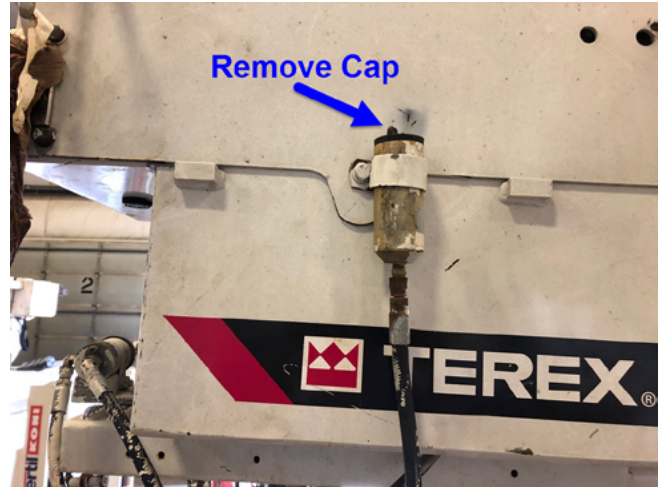
TECH TIP 88 | RELEASED 09.21.2022 | VERSION 1.0
©TEREX UTILITIES. ALL RIGHTS RESERVED

INTRODUCTION



STEP 1

Remove the throttle reservoir cap and place the drain pan under it to catch excess oil pumped out of the reservoir.



STEP 2

Locate the throttle slave cylinder. Typical installation locations are in the pedestal or by the curb side front outrigger.



STEP 3

Loosen the bleed screw and push the hose onto the bleed screw. The hose will need to be held in place on the bleed screw.



STEP 4

Begin to pump the oil can while holding the hose onto the bleed screw. Continue pumping the oil can until there are no more air bubbles in the reservoir. This indicates that all the air is out of the throttle line.

STEP 5

Remove the hose and tighten the bleed screw.

STEP 6

Verify foot throttle operates correctly. If the foot throttle continues to have issues contact Technical Support at utilities.service@terex.com or 1-844-837-3948 (1-844-Terex4U).



FOR FURTHER ASSISTANCE,
CONTACT THE TEREX UTILITIES TECHNICAL SUPPORT TEAM
PHONE: **1-844-TEREX4U (1-844-837-3948)** | EMAIL: **UTILITIES.SERVICE@TEREX.COM**
