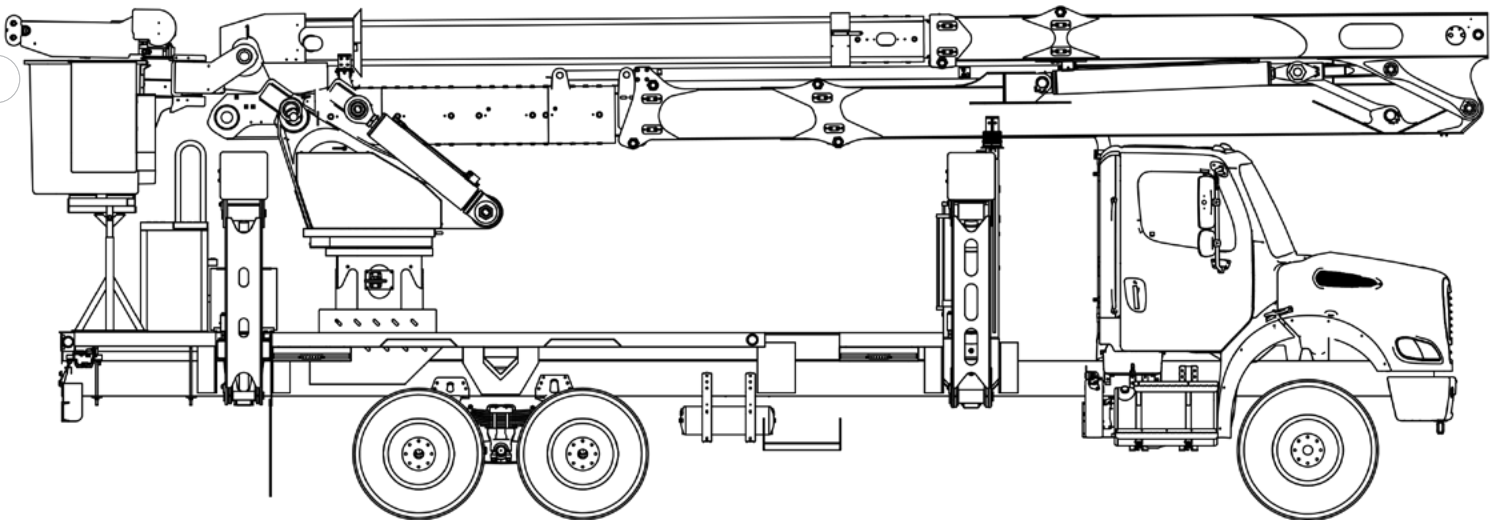




# TECH TIPS

TOP CONTROLS NOT WORKING

NO. 77



**SERVICE CALL:**  
TOP CONTROLS NOT WORKING



**MODEL(S):**  
TM



**TOOLS NEEDED:**  
NONE

TEREX UTILITIES TECHNICAL SUPPORT TEAM

PHONE: 1-844-TEREX4U (1-844-837-3948) | EMAIL: [UTILITIES.SERVICE@TEREX.COM](mailto:UTILITIES.SERVICE@TEREX.COM)



## **DANGER**

Failure to obey the instructions and safety rules in the appropriate Operator's Manual and Service Manual for your machine will result in death or serious injury.

Many of the hazards identified in the Operator's Manual are also safety hazards when maintenance and repair procedures are performed.

## **DO NOT PERFORM MAINTENANCE UNLESS:**

- ✓ You are trained and qualified to perform maintenance on this machine.
- ✓ You read, understand and obey:
  - manufacturer's instructions and safety rules
  - employer's safety rules and worksite regulations
  - applicable governmental regulations
- ✓ You have the appropriate tools, lifting equipment and a suitable workshop.

The information contained in this Tech Tip is a supplement to the Service Manual. Consult the appropriate Service Manual of your machine for safety rules and hazards.



TECH TIP 77 | RELEASED 09.16.2022 | VERSION 1.0  
©TEREX UTILITIES. ALL RIGHTS RESERVED

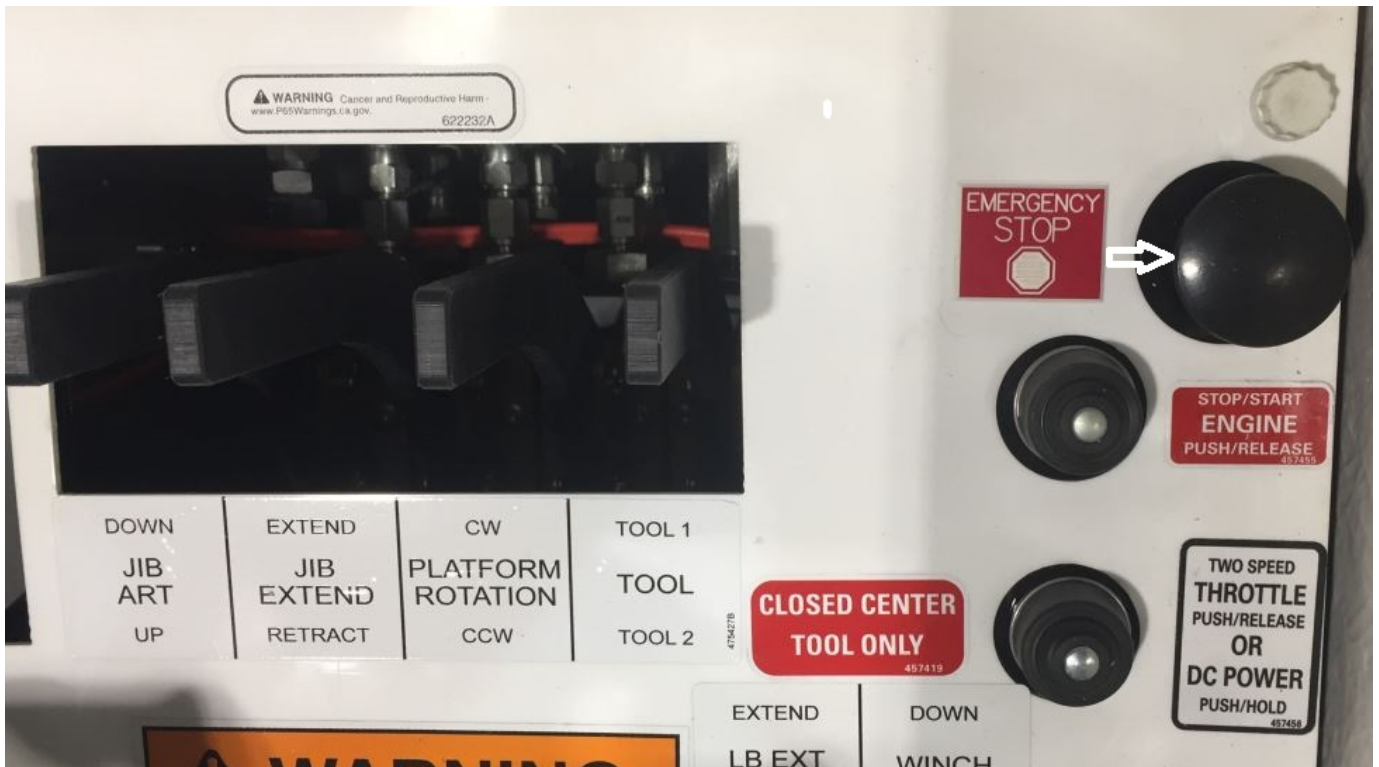
## STEP 1

If the Emergency Stop button at the upper controls has been pushed in, the functions at the lower control will still operate normally, but none of the top function controls, including the option valve will operate.

## STEP 2

If the upper controls will not operate, cycle the Emergency Stop button by pushing it in and pulling it back out completely. The upper controls should return to normal operation.

If the upper controls do not operate, continue troubleshooting the hydraulic system. For additional assistance call 1-844-Terex4U (1-844-837-3948) or email [utilities.service@terex.com](mailto:utilities.service@terex.com)





FOR FURTHER ASSISTANCE,  
CONTACT THE TEREX UTILITIES TECHNICAL SUPPORT TEAM  
PHONE: **1-844-TEREX4U (1-844-837-3948)** | EMAIL: **[UTILITIES.SERVICE@TEREX.COM](mailto:UTILITIES.SERVICE@TEREX.COM)**

---