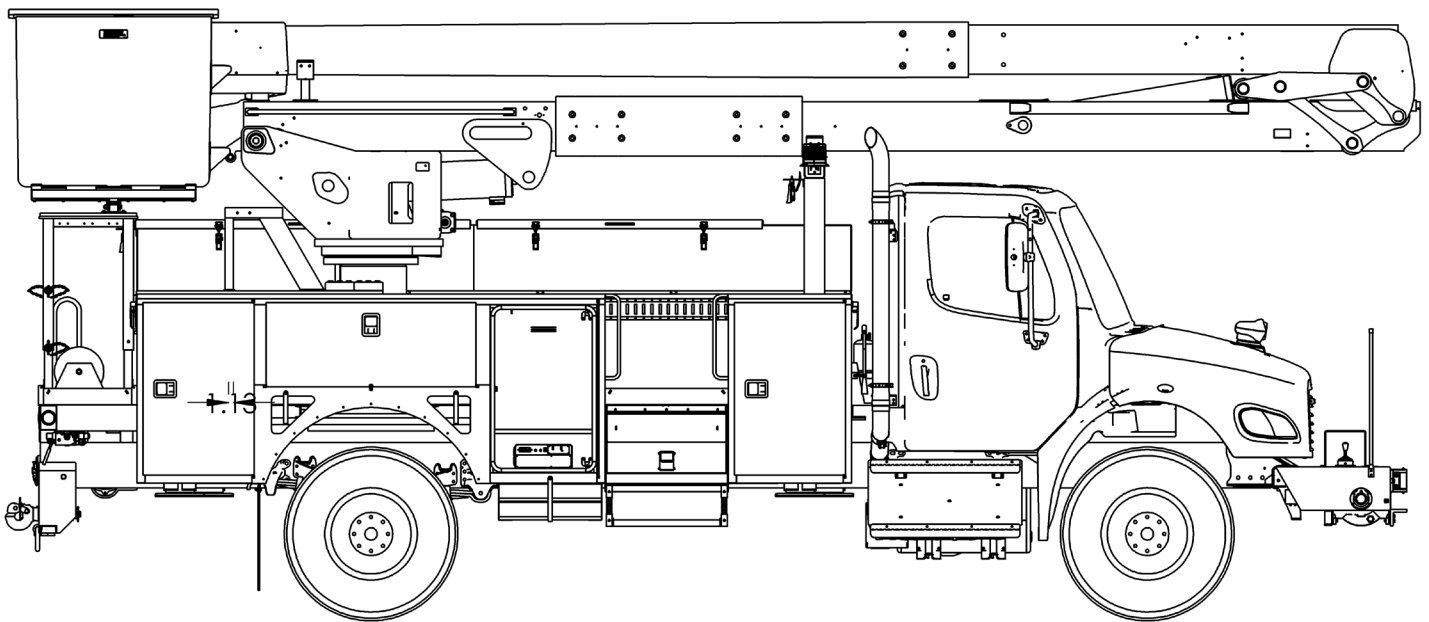




TECH TIPS

DETERMINE WHEN A UNIT WAS MANUFACTURED

NO. 25



SERVICE CALL:
DETERMINE WHEN A UNIT WAS
MANUFACTURED



MODEL(S):
ALL TEREX UTILITIES EQUIPMENT



TOOLS NEEDED:
NONE

TEREX UTILITIES TECHNICAL SUPPORT TEAM

PHONE: 1-844-TEREX4U (1-844-837-3948) | EMAIL: UTILITIES.SERVICE@TEREX.COM



DANGER

Failure to obey the instructions and safety rules in the appropriate Operator's Manual and Service Manual for your machine will result in death or serious injury.

Many of the hazards identified in the Operator's Manual are also safety hazards when maintenance and repair procedures are performed.

DO NOT PERFORM MAINTENANCE UNLESS:

- ✓ You are trained and qualified to perform maintenance on this machine.
- ✓ You read, understand and obey:
 - manufacturer's instructions and safety rules
 - employer's safety rules and worksite regulations
 - applicable governmental regulations
- ✓ You have the appropriate tools, lifting equipment and a suitable workshop.

The information contained in this Tech Tip is a supplement to the Service Manual. Consult the appropriate Service Manual of your machine for safety rules and hazards.



TECH TIP 25 | RELEASED 02.28.2024 | VERSION 1.1
©TEREX UTILITIES. ALL RIGHTS RESERVED

CONTENTS

TECH TIP #25

4

| Units produced on or after 12/2023

12 DIGIT SERIAL NUMBER

5

| Units produced starting 09/1997

10 DIGIT SERIAL NUMBER

6

| Units produced before 09/1997

| Hi-Rangers

EXAMPLES

INTRODUCTION

Terex Utilities has had several variations of serial number in our history. This Tech Tip outlines the different formats and the information that each serial number provides. If you have any questions contact Technical Support at 1-844-837-3948.

UNITS PRODUCED BEGINNING IN 12/2023

Starting in December of 2023, new units are assigned a 12 digit serial number to accommodate system limitations.

Both 10 and 12 digit serial number styles will be used until the backlog of units assigned a 10 digit serial number is exhausted.

The 12 digit serial number consists of the year of manufacture and a 10 digit number that uniquely identifies the unit.

Serial Number Example: 231050356462

231050356462 - Manufactured in 2023

231050356462 - Unique identifying number



With the change in serial numbers, our Technical Support Group is asking for the full serial number of the unit to make sure we are referencing information on the correct unit.

UNITS PRODUCED STARTING 09/1997

STEP 1

A Commander 5048 has a Serial Number of: **2120246577**

STEP 2

The first digit, in this case 2, refers to the millennium: the year 2000 and above.

2120246577

STEP 3

The next two digits refer to the year the unit was manufactured. In this example, 12, indicating the year 2012.

2120246577

STEP 4

The next two digits designate the month the unit was produced. In this example, the 02 indicates February.

2120246577

STEP 5

The last five digits are a sequential number generated during the order process.

2120246577

STEP 6

In this example, the boom was produced during February, 2012 with a DK Number of 46577. This is only when the boom was produced; the completed unit will take additional time to be installed on the chassis.

UNITS PRODUCED BEFORE 09/1997

For Telelect units, the serial number ends with a two or three letter date code. An example of a Commander 5000 serial number would be: 706-50-JCC.

Using the chart provided in **Appendix A**, you can determine the month and year.

706-50-JCC = September

706-50-JCC = 1995

The unit was produced in September, 1995.

Looking at the chart, units produced before 1993 will only have a 2 letter date code. The first letter is the month, the second letter is the year.

For example, a serial number ending in KD:

KD = October

KD = 1973

The unit was built in October, 1973.

HI-RANGERS (8 OR 9 DIGIT SERIAL NUMBERS)

Units using the Hi-Rangers brand, both older units and Telelect units designed after 1995 follow the pattern of the example in steps 2 through 6. The first one or two digits are the month, the next two are the year, with the remaining 5 digits providing a sequential serial number.

EXAMPLE

A Hi-Ranger 5HA-48PHI with a Serial number of 088814909.

088814909 or 88814909 = August

088814909 or 88814909 = 1988

088814909 or 88814909 = Serial Number

The unit was produced in August of 1988.

APPENDIX: A

Month	Code	Month	Code
January	A	July	G
February	B	August	H
March	C	September	J
April	D	October	K
May	E	November	L
June	F	December	M
Year	Code	Year	Code
1970	A	1993	AA
1971	B	1994	BB
1972	C	1995	CC
1973	D	1996	DD
1974	E	1997	EE
1975	F	1998	FF
1976	G	1999	GG
1977	H	2000	HH
1978	J	2001	JJ
1979	K	2002	KK
1980	L	2003	LL
1981	M	2004	MM
1982	N	2005	NN
1983	P	2006	PP
1984	R	2007	RR
1985	S	2008	SS
1986	T	2009	TT
1987	U	2010	UU
1988	V	2011	VV
1989	W	2012	WW
1990	X	2013	XX
1991	Y	2014	YY
1992	Z	2015	ZZ



FOR FURTHER ASSISTANCE,
CONTACT THE TEREX UTILITIES TECHNICAL SUPPORT TEAM
PHONE: **1-844-TEREX4U (1-844-837-3948)** | EMAIL: [**UTILITIES.SERVICE@TEREX.COM**](mailto:UTILITIES.SERVICE@TEREX.COM)
