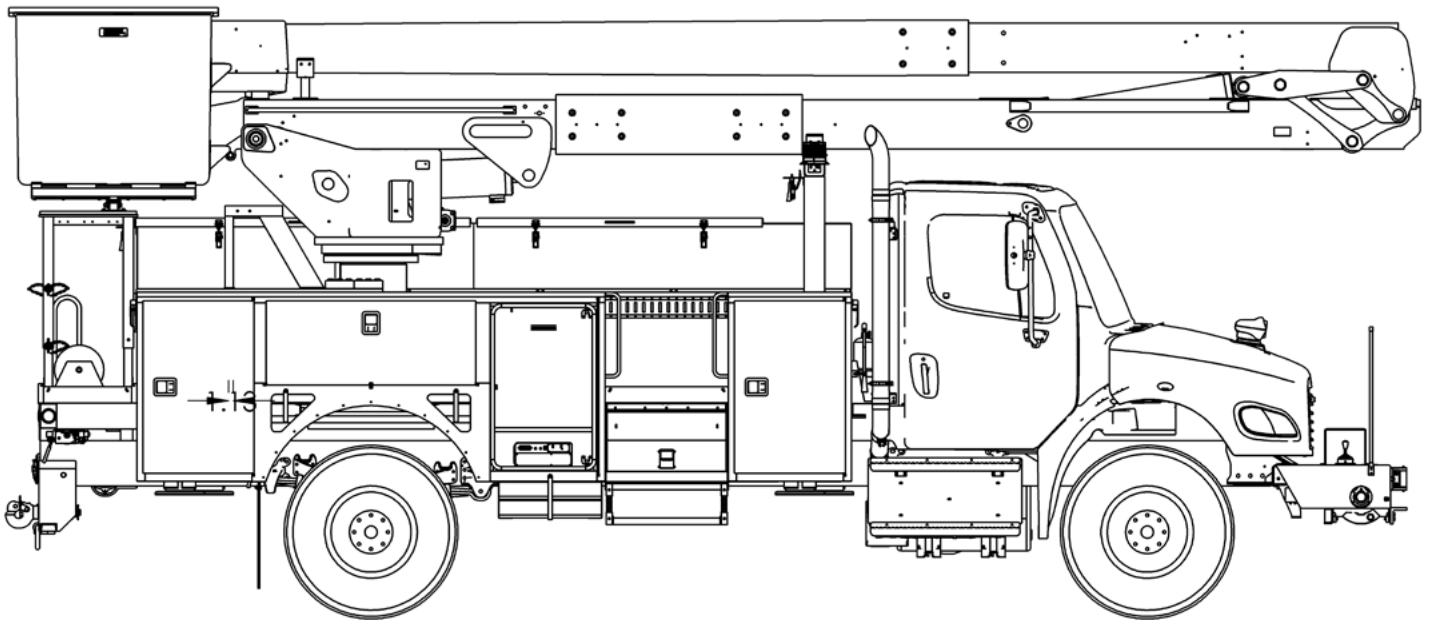




TECH TIPS

RE-THREAD UPPER BOOM HOLD DOWN STRAP

NO. 24



SERVICE CALL:
RE-THREAD UPPER BOOM HOLD
DOWN STRAP



MODEL(S):
ALL UNITS WITH WEB TYPE STRAP
AND "OVER-CENTER" HANDLE AT
THE BOOM REST



TOOLS NEEDED:
NONE

TEREX UTILITIES TECHNICAL SUPPORT TEAM

PHONE: 1-844-TEREX4U (1-844-837-3948) | EMAIL: UTILITIES.SERVICE@TEREX.COM



DANGER

Failure to obey the instructions and safety rules in the appropriate Operator's Manual and Service Manual for your machine will result in death or serious injury.

Many of the hazards identified in the Operator's Manual are also safety hazards when maintenance and repair procedures are performed.

DO NOT PERFORM MAINTENANCE UNLESS:

- ✓ You are trained and qualified to perform maintenance on this machine.
- ✓ You read, understand and obey:
 - manufacturer's instructions and safety rules
 - employer's safety rules and worksite regulations
 - applicable governmental regulations
- ✓ You have the appropriate tools, lifting equipment and a suitable workshop.

The information contained in this Tech Tip is a supplement to the Service Manual. Consult the appropriate Service Manual of your machine for safety rules and hazards.



TECH TIP 24 | RELEASED 03.08.2022 | VERSION 1.0
©TEREX UTILITIES. ALL RIGHTS RESERVED

CONTENTS

TECH TIP #24

TOC

4

| *Release the handle*

| *Verify the routing*

| *Engage the strap*

STEP 1 - STEP 4

STEP 1

Release the handle to remove tension from the strap.

STEP 2

Compare the routing of the strap with the diagram in **FIGURE 1**. Re-route the strap if it is not routed correctly.

STEP 3

The strap should look like this example when it is routed correctly. **FIGURE 2**

STEP 4

Hook up the strap to the hook on the boom rest, then push the handle to latch it. **FIGURE 3**

Note: It should take some force to get the handle to latch. If the latch moves easily, shorten strap as needed.

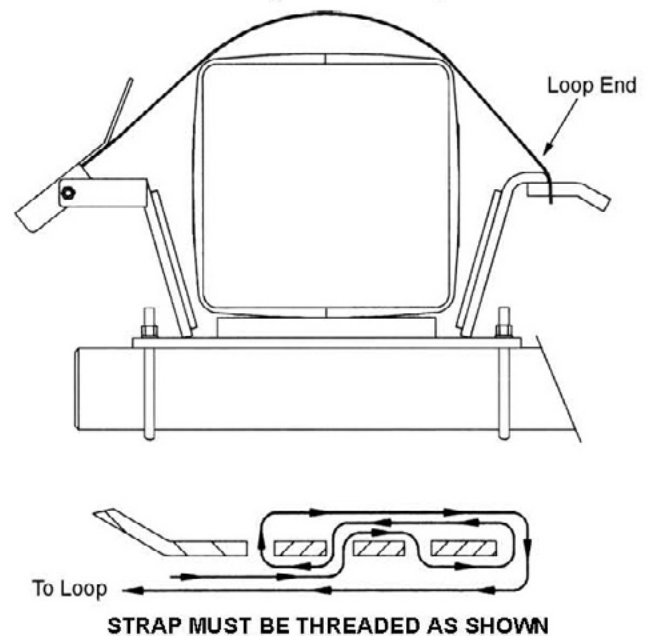


FIGURE 1



FIGURE 2



FIGURE 3



FOR FURTHER ASSISTANCE,
CONTACT THE TEREX UTILITIES TECHNICAL SUPPORT TEAM
PHONE: **1-844-TEREX4U (1-844-837-3948)** | EMAIL: **UTILITIES.SERVICE@TEREX.COM**
