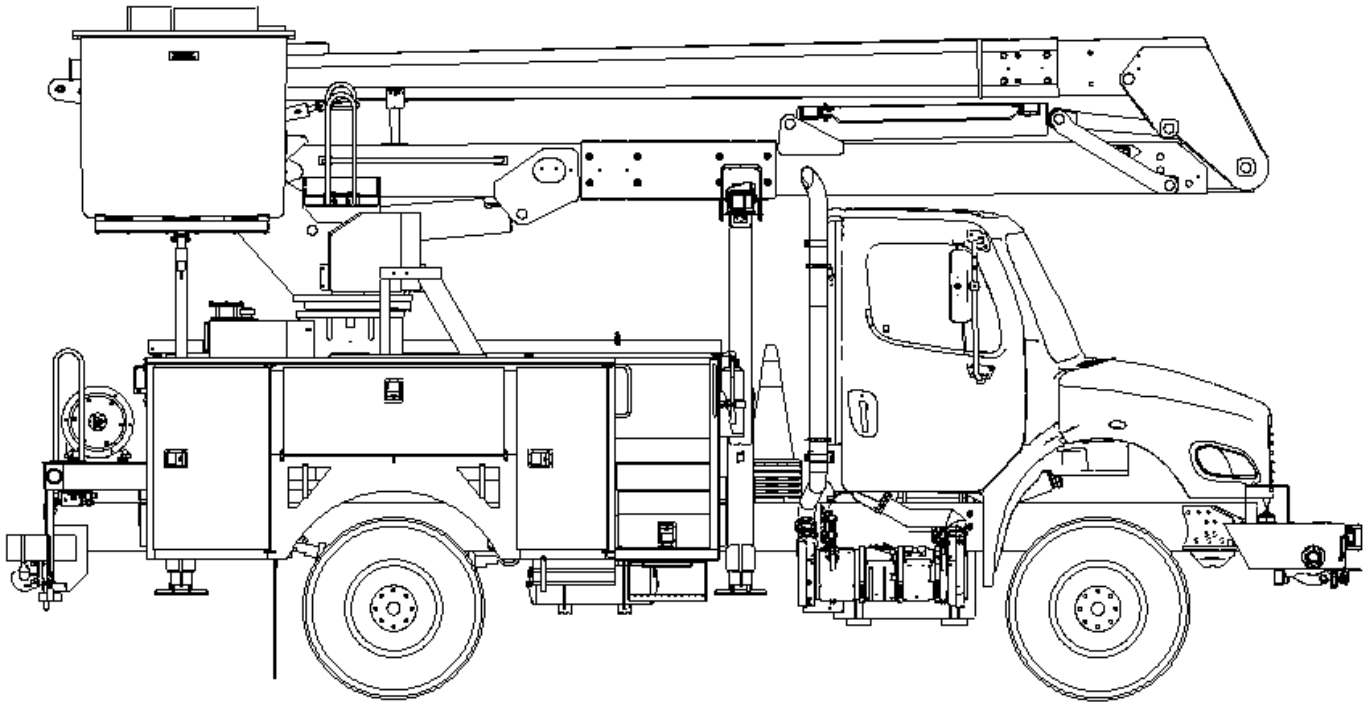




# TECH TIPS

HYDRAULIC FLUID ANALYSIS

NO. 137



**SERVICE CALL:**  
HYDRAULIC FLUID ANALYSIS



**MODEL(S):**  
ALL TEREX UTILITIES EQUIPMENT




**TOOLS NEEDED:**  
FLUID ANALYSIS KIT

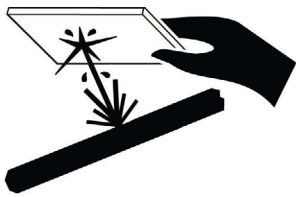
TEREX UTILITIES TECHNICAL SUPPORT TEAM

PHONE: 1-844-TEREX4U (1-844-837-3948) | EMAIL: [UTILITIES.SERVICE@TEREX.COM](mailto:UTILITIES.SERVICE@TEREX.COM)

**! WARNING**



**Injection Hazard**  
Fluid escaping under pressure can penetrate skin and result in death or serious injury.



Relieve pressure before disconnecting hydraulic lines.  
Stay clear of leaks and pin holes. Use a piece of cardboard or wood to search for leaks. Do not use hand.  
Fluid injected into skin must be surgically removed within a few hours by a doctor familiar with this type of injury, or gangrene will result.



## DANGER

Failure to obey the instructions and safety rules in the appropriate Operator's Manual and Service Manual for your machine will result in death or serious injury.

Many of the hazards identified in the Operator's Manual are also safety hazards when maintenance and repair procedures are performed.

## DO NOT PERFORM MAINTENANCE UNLESS:

- ✓ You are trained and qualified to perform maintenance on this machine.
- ✓ You read, understand and obey:
  - manufacturer's instructions and safety rules
  - employer's safety rules and worksite regulations
  - applicable governmental regulations
- ✓ You have the appropriate tools, lifting equipment and a suitable workshop.

The information contained in this Tech Tip is a supplement to the Service Manual. Consult the appropriate Service Manual of your machine for safety rules and hazards.



TECH TIP 137 | RELEASED 12.11.2023 | VERSION 1.0  
©TEREX UTILITIES. ALL RIGHTS RESERVED

## STEP 1

Eaton is currently offering a hydraulic fluid analysis kit for purchase. There are 2 kits available:  
Standard Kit

- Particle Count
- Water
- TAN/pH
- Viscosity
- pH

Advanced Kit

- ICP Spectrometric Analysis
- Particle Count
- Water
- TAN/pH
- Viscosity
- pH

For more information, consult the Eaton website: <https://www.eaton.com/us/en-us/catalog/services/hydraulic-fluid-analysis.html>



Escaping fluid under pressure can penetrate skin causing serious injury.

Relieve pressure before disconnecting hydraulic lines. Keep away from leaks and pin holes. Use a piece of cardboard or paper to search for leaks. **DO NOT** use your hand.



FOR FURTHER ASSISTANCE,  
CONTACT THE TEREX UTILITIES TECHNICAL SUPPORT TEAM  
PHONE: **1-844-TEREX4U (1-844-837-3948)** | EMAIL: **[UTILITIES.SERVICE@TEREX.COM](mailto:UTILITIES.SERVICE@TEREX.COM)**

---